

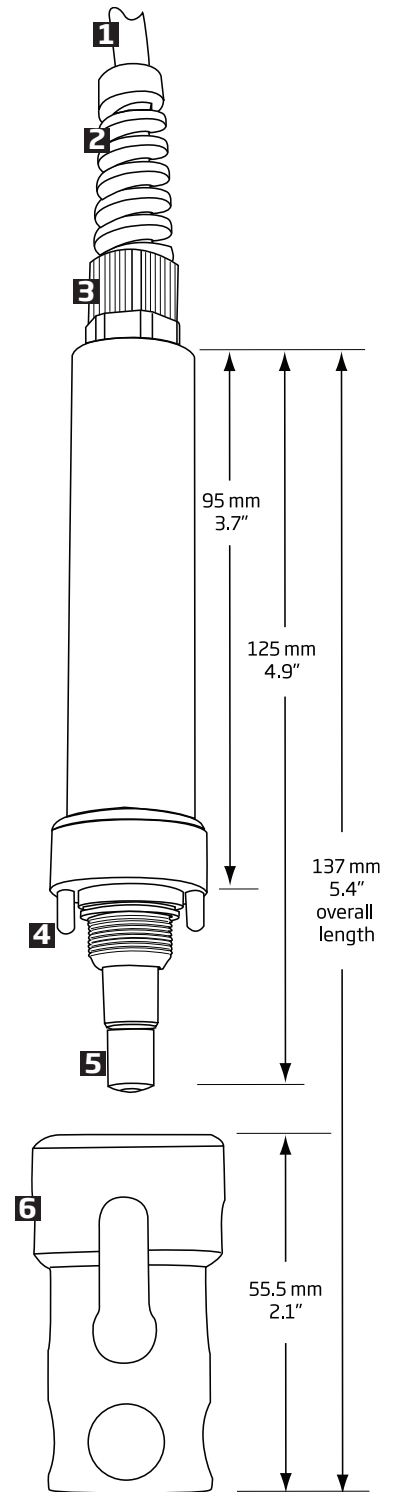
HI 76409

Galvanic DO Probe with Protective Cap

Unlike polarographic probes, galvanic DO probes require no conditioning time. When you need to measure multiple samples in a given period of time, pick it up and measure on demand.

- 1** Shielded, waterproof cable
- 2** Flex protect
- 3** Strain relief for cable
- 4** Temperature sensors
- 5** Cathode (3.5 mm), pure silver
- 6** Protective cap

PROBE	CABLE LENGTH	METER
HI 76409/4	4 m (13')	HI 9147 (meter specific, fixed probe)
HI 76409/10	10 m (33')	
HI 76409/15	15 m (49')	
HI 76409/20	20 m (65.6')	



HI 7040 • HI 7042

DO Solutions

It is crucial to the performance of your DO probe, to keep the sensor active with regular maintenance.

- HI 7040M Zero oxygen solution, 230 mL
- HI 7040L Zero oxygen solution, 500 mL
- HI 7042S Electrolyte solution for galvanic probes, 30 mL



HI 76409A/P

Easy, Screw Cap DO Membranes

When the PTFE (PolyTetraFluoro-Ethylene) membrane of the protective cap wears, it is always good to have a back-up.

HI 76409A/P Contains 5 ready-to-use, replacement membranes.